

Balanced
Flue Options



HUNTER GAS STOVES

Incorporating **HS Gas**



HUNTER GAS STOVES

Exceptional all round good looks are essentially the trade mark of the stoves within the Hunter range, and the gas-fired stoves are no exception to this. With stoves suitable for traditional and contemporary situations and the option of both conventional and balanced flue installations, the Hunter Gas Stoves are both attractive and versatile.

Take time to enjoy the beautiful flickering flames with their very natural flame picture; both the coal and log fuel-beds are exceptionally realistic.

As well as offering incredible realism, the Hunter gas stoves also offer peace of mind by being safe and reliable to use. Add to this their notable efficiencies, which range from 73% to 78%, the overall benefits of having a Hunter gas-fired stove are tangible as well as practical.

Contents

The Herald 6 Gas	page 4
The Herald 6 Inglenook Gas	page 6
The Hawk 4 Gas	page 8
The Select 6 Gas - Cast Iron	page 10
The Verona 6 Gas	page 12
The Selene 6 D Gas	page 14
Technical Specification	page 16
Technical Dimensions	page 18



Herald 6 Gas, Flat Top with Single Door and log fuel bed

The Herald 6 Gas

The Herald 6 Gas

The Herald 6 Gas stove capitalises on the award winning styling of the Hunter Herald multi-fuel range. Creative designing offers traditional good looks; this is now combined with the most recent gas-stove technology.

The Herald 6 Gas is one of the few stoves on the market that can operate with the doors open, when the double door option is chosen. With nothing to obstruct the view through the glass, this stove looks even more realistic.

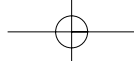
Gas Type	Control
Natural Gas	Manual control
LPG	Remote control
Heat Output	Styling
Conventional flue 4.8kW	Flat top
Balanced flue 5.0kW	Low canopy
	High canopy
	Single door
	Double plain doors
Installation	Double crossed doors
Class 1 flue	
Class 2 flue	
Balanced flue	
	Optional Extras
Fuel Type	Brass door knobs
Random coal	
Realistic log	Leg length (min 5", standard 6" up to max 9")



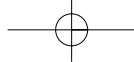
Herald 6 Gas, Low Canopy with Plain Doors, and coal fuel bed



Herald 6 Gas, High Canopy with longer legs and coal fuel bed



Herald 6 Gas, Flat Top with traditional Crossed Doors and coal fuel bed



The Herald 6 Gas Inglenook

The Herald 6 Gas Inglenook

Specifically designed for an inglenook or a larger fireplace, is the Herald 6 Gas Inglenook stove. Offering traditional good looks, the Herald 6 Gas Inglenook is a unique addition to the Hunter range of gas-fired stoves.

Both the sweeping curve of the specially designed canopy and the realism of the flickering yellow flames, draw the eye to what is a very specific but appealing centrepiece for a favourite room.

Gas Type	Control
Natural Gas	Manual control
LPG	Remote control
Heat Output	Styling
Conventional flue 4.8kW	Double plain doors
Balanced flue 5.0kW	Double crossed doors
Installation	Optional Extras
Class 1 flue	Brass door knobs
Class 2 flue	
Balanced flue	
Fuel Type	Leg length (min 5", standard 7 ¹ / ₂ ' up to max 9")
Random coal	
Realistic log	



Herald 6 Gas Inglenook with Plain Doors



Note: The remote handset switches the stove on and off when on permanent pilot



Herald 6 Gas Inglenook with coal fuel bed and 7 1/2" legs as standard

The Hawk 4 Gas

The Hawk 4 Gas

The compact Hawk 4 Gas stove is a small stove with a big heart. Its size allows installation in a smaller fireplace, yet the Hawk 4 Gas can still offer a good heat output.

Select the door style to reflect the room decor. Choose from traditional or the contemporary 'D' door.

Gas Type	Control
Natural Gas	Manual control
LPG	Manual control
Heat Output	Styling
Conventional flue 3.7kW	Flat top
	Low canopy
	Traditional door
Installation	Contemporary Door
Class 1 flue	
Class 2 flue	
Fuel Type	Optional Extras
Random coal	Brass door knob
Realistic log	Leg length (min 4", standard 5' up to max 9")



Hawk 4 Gas, Low Canopy with coal fuel bed and contemporary 'D' door option.



Hawk 4 Gas, Flat Top with log fuel bed and traditional door option.



Hawk 4 Gas, Flat Top with log fuel bed and contemporary 'D' door option

The Select 6 Gas

The Select 6 - Cast Iron

The Select 6 stove is a high quality, solid cast iron, gas-fired stove. Winning the Freestanding Gas Stove and Appliance of the Year at the Hearth & Home Exhibition, the Select 6 is an excellent quality stove.

The Select 6 is one of the few stoves on the market that can operate with the doors open, with nothing to obstruct the view through the glass; this stove looks even more realistic.

Gas Type Control

Natural Gas	Manual control
LPG	Remote control

Heat Output

Conventional flue 4.8kW	Styling
Balanced flue 5.0kW	Plain door
	Gothic arch door
	Gothic cross doors

Installation

Class 1 flue	
Class 2 flue	
Balanced flue	Optional Extras

Fuel Type

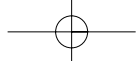
Random coal	Brass door knobs
Realistic log	



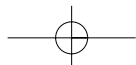
Select 6 with Gothic Cross Doors and coal fuel bed



Select 6 with Plain Doors and log fuel bed



Select 6 with Gothic Arch Doors and coal fuel bed



The Verona 6 Gas

The Verona 6

For a more contemporary gas stove consider the Verona 6. The sleek styling of the Verona stove, especially in the brushed stainless steel finish, would complement the most modern of settings.

Available in matt black steel finish as well, the simplicity of the Verona 6 adds a new dimension to the Hunter range of gas-fired stoves.

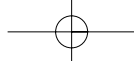
Gas Type	Control
Natural Gas	Manual control
LPG	Remote control
Heat Output	Styling
Conventional flue 4.8kW	Brushed stainless steel finish
Balanced flue 5.0kW	Matt black steel finish
Installation	Optional Extras
Class 1 flue	Brushed stainless steel flue
Class 2 flue	
Balanced flue	
Fuel Type	
Random coal	
Realistic log	



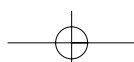
Verona 6 in a matt black finish with log fuel bed



Verona 6 in a matt black finish with coal fuel bed



Verona 6 in brushed stainless steel with log fuel bed



The Selene 6 D Gas

The Selene 6 D Gas

Manufactured from high quality steel, the Selene 6 D gas stove adds a new dimension to the gas-fired range from Hunter Stoves. The clever and simple design of the Selene 6 D makes it an extremely versatile stove with numerous styling options.

Not only can the Selene offer the traditional good-looks of a Gothic door option, but also a contemporary plain door option. Two very pleasing extremes from one stove design.

Gas Type	Styling
Natural Gas	Flat top
LPG	Low canopy
	High canopy
Heat Output	Inglenook canopy
Conventional flue 4.8kW	Double plain doors
Balanced flue 5.0kW	Gothic arch doors
Installation	Gothic cross doors
Class 1 flue	
Class 2 flue	
Balanced flue	Optional Extras
Fuel Type	Brass door knobs
Random coal	Leg lengths (min 5", standard 6" up to max 9")
Realistic log	
Control	
Manual control	
Remote control	



Selene 6 D, Flat Top with Double Plain Doors and log fuel bed



Selene 6 D, Low Canopy with Plain Double Doors and log fuel bed



Gothic Arch Door option



Selene 6 D, High Canopy with Plain Double Doors and coal fuel bed

Technical Specification

Gas Type

All of the Hunter Gas stoves, for either a conventional installation or balanced flue (except the Hawk) installation are suitable for both Natural Gas and LPG.

Heat Outputs

The heat output for all the stoves varies slightly depending on conventional or balanced flue installation, see page 18-19 for more specific details

Installation

All of the Hunter Gas stoves are suitable for installation to a standard solid fuel Class 1 flue and a Class 2 flue. Depending on the situation, the stoves may be either rear flued or flued from the top of the stove.

In a situation where no flue exists, all the Hunter Gas stoves, except the Hawk stove, are available as balanced flue models. Each stove can be supplied complete with a choice of three flue kits, vertical, top or rear; to suit all installation options, see opposite page for details.

Fuel Type

All of the Hunter Gas stoves offer an exceptionally realistic fuel bed, either a random coal or log effect. It is also possible, even after installation, to change your chosen fuel bed. Whilst the stove remains in situ, a change can be made from coal to wood or vice versa should you desire.

Control

All the Hunter Gas stoves are supplied with a top quality manual control as standard. However, for added convenience, a hand-held full remote control is available as an optional extra on all the stoves except the Hawk. The remote control handset can switch the stove on from a permanent pilot, and off, and adjust the flame picture. Should the need arise a manual override ensures continued operation of the stove.

Styling

There are many options as regards stove styling within the range of Hunter Gas stoves. Please see each individual product range for the specific styling offered.

Optional Extras

As an optional extra it is possible to have any of the stoves with brass door knobs, either single, double or as a set, depending on model.



Option: brass door knobs

All of the stoves are available in a matt black finish except the Verona, which also has a brushed stainless steel finish. Optional dark green and metallic blue finishes are also available



Due to printing limitations the colours shown are not necessarily an accurate representation

When a balanced flue stove is chosen, the flue pipe supplied as standard, is unpainted stainless steel. Paint is available for the flue pipe; please ask your retailer for details.

Safety Features

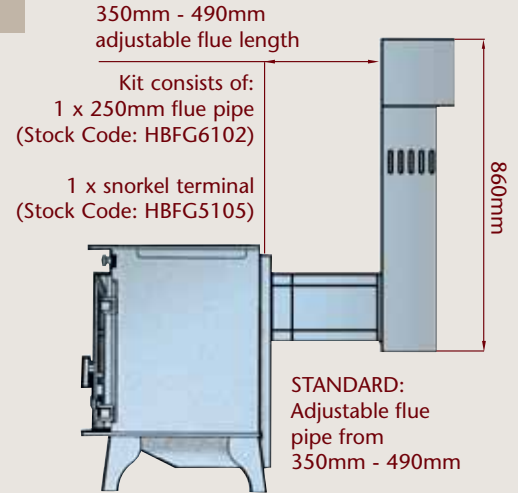
For that extra peace of mind, each stove features an oxy pilot to safely monitor the oxygen level in the room; should this fall below an acceptable level the stove turns itself off. Likewise with the flame failure device, this safely cuts off the gas supply should the flame be extinguished.

Hunter Stoves would like to thank Firecraft for the use of their photograph on page twelve.

Balanced Flue Information

The balanced flue stove price includes one Standard Terminal Flue Kit either Top, Rear or Vertical, other options shown below.

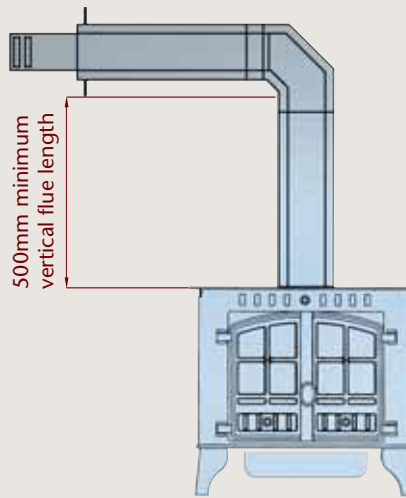
STANDARD REAR FLUE KIT



2000mm - minimum vertical flue length

STANDARD VERTICAL FLUE KIT

Kit consists of:
 2 x 1000mm flue pipe (Stock Code: HBFG6100)
 1 x vertical terminal (Stock Code: HBFG6104)

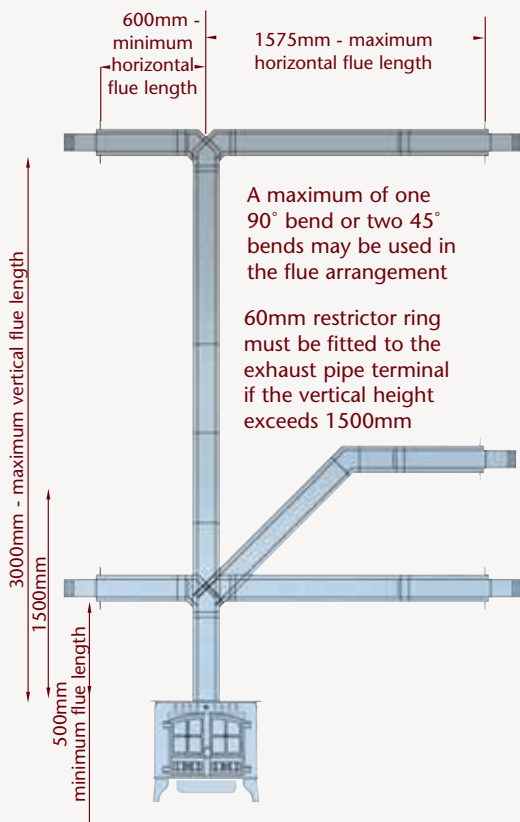


STANDARD TOP FLUE KIT

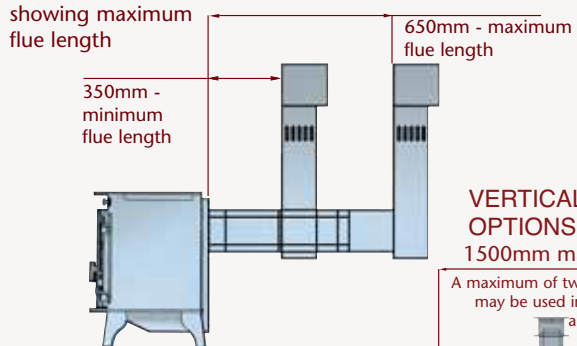
Kit consists of:
 1 x 500mm flue pipe (Stock Code: HBFG8101)
 1 x 90° elbow (Stock Code: HBFG6106)
 1 x Horizontal terminal (Stock Code: HBFG6103)

A number of flueing options other than the Standard Terminal Flue Kits are also available

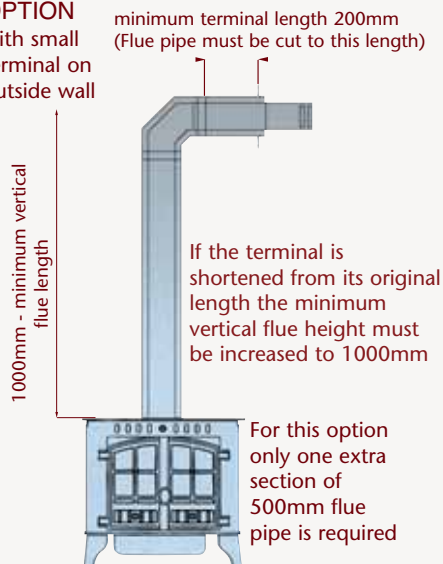
VARIOUS TOP FLUE OPTIONS



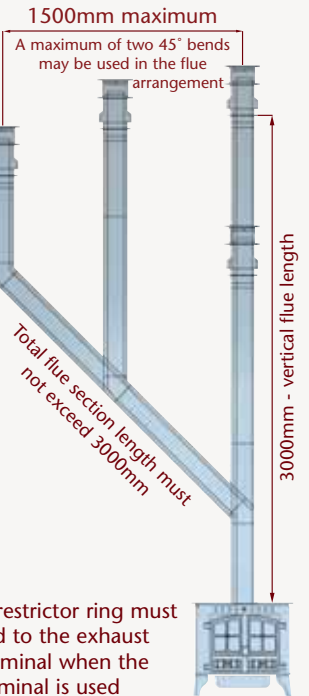
REAR FLUE OPTION



TOP FLUE OPTION with small terminal on outside wall

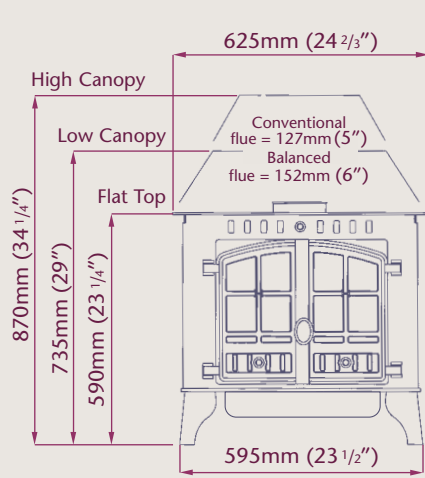


VERTICAL FLUE OPTIONS

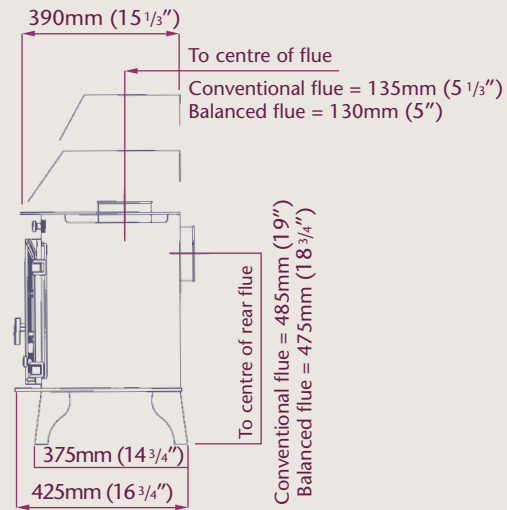


TECHNICAL DIMENSIONS

Herald 6 Gas



The dimensional drawing shows a stove with standard 6" length legs



The Herald 6 Gas

Running Costs

Natural Gas
High = 20p/hr
Low = 13p/hr

LPG
High = 50p/hr
Low = 30p/hr

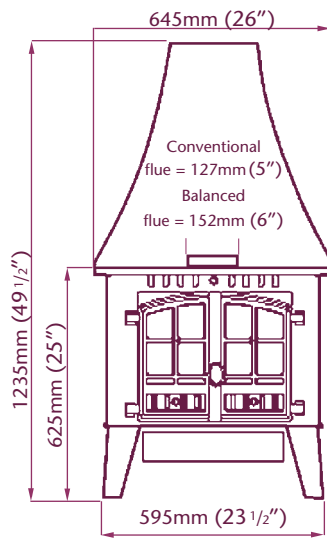
Heat Inputs/Outputs

Conventional Flue
Max Heat Input = 6.5kW
Max Heat Output = 4.8kW

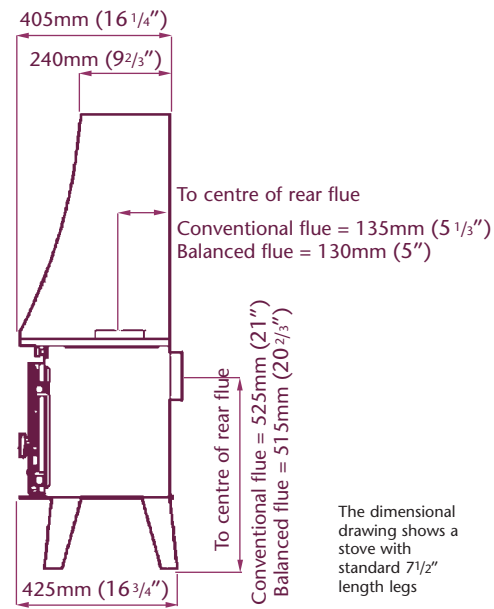
Balanced Flue
Max Heat Input = 6.7kW
Max Heat Output = 5.0kW

Efficiency
73 – 77%

Herald 6 Gas Inglenook



The dimensional drawing shows a stove with standard 7 1/2" length legs



The Herald 6 Gas Inglenook

Running Costs

Natural Gas
High = 20p/hr
Low = 13p/hr

LPG
High = 50p/hr
Low = 30p/hr

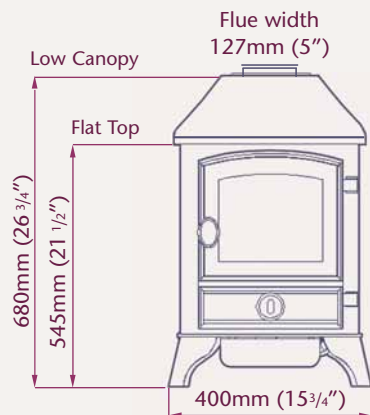
Heat Inputs/Outputs

Conventional Flue
Max Heat Input = 6.5kW
Max Heat Output = 4.8kW

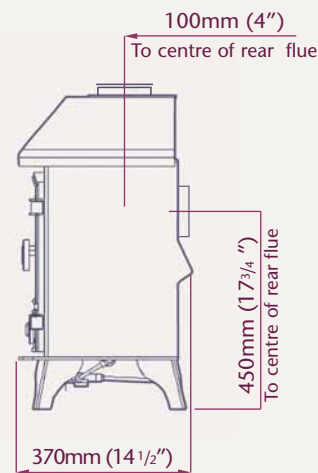
Balanced Flue
Max Heat Input = 6.7kW
Max Heat Output = 5.0kW

Efficiency
73 – 77%

Hawk 4 Gas



The dimensional drawing shows a stove with standard 5" length legs



The Hawk 4 Gas

Running Costs

Natural Gas
High = 14p/hr
Low = 10p/hr

LPG
High = 49p/hr
Low = 33p/hr

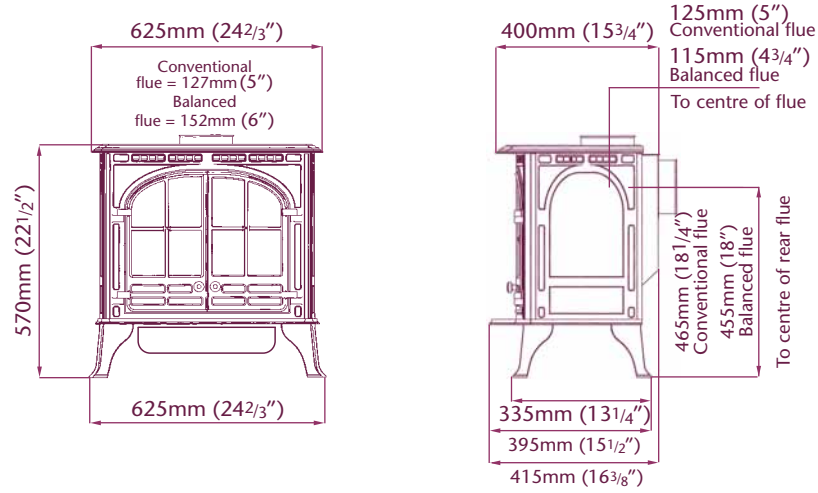
Heat Inputs/Outputs

Conventional Flue
Max Heat Input = 4.8kW
Max Heat Output = 3.7kW

Efficiency
75 – 78%

Hunter Stoves Ltd. have a policy of continuous product improvement and therefore reserve the right to change specifications and designs at any time without prior notice. • LPG Costs based on - 1kg liquid @ £1.13 as of 09/03/06 • Nat Gas Costs Based on 3p per Kwhr as of 09/03/06 • Efficiencies and outputs may vary depending on installation parameters • Flame picture may vary depending on conventional or balanced flue installation

Select 6 Gas



The Select 6 Gas

Running Costs

Natural Gas
 High = 20p/hr
 Low = 13p/hr

LPG

High = 50p/hr
 Low = 30p/hr

Heat Inputs/Outputs

Conventional Flue
 Max Heat Input = 6.5kW

Max Heat Output = 4.8kW

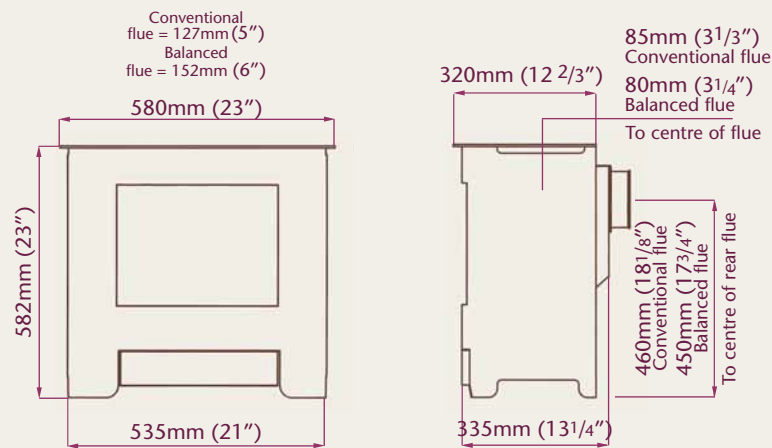
Balanced Flue
 Max Heat Input = 6.7kW

Max Heat Output = 5.0kW

Efficiency

73 – 77%

Verona 6 Gas



The Verona 6 Gas

Running Costs

Natural Gas
 High = 20p/hr
 Low = 13p/hr

LPG

High = 50p/hr
 Low = 30p/hr

Heat Inputs/Outputs

Conventional Flue
 Max Heat Input = 6.5kW

Max Heat Output = 4.8kW

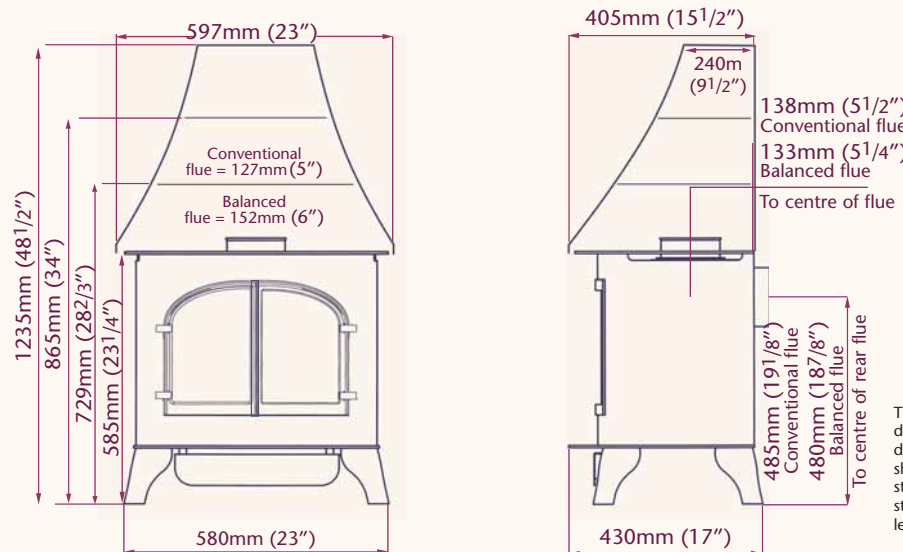
Balanced Flue
 Max Heat Input = 6.7kW

Max Heat Output = 5.0kW

Efficiency

73 – 77%

Selene 6 D Gas



The dimensional drawing shows a stove with standard 6" length legs

The Selene 6 D Gas

Running Costs

Natural Gas
 High = 20p/hr
 Low = 13p/hr

LPG

High = 50p/hr
 Low = 30p/hr

Heat Inputs/Outputs

Conventional Flue
 Max Heat Input = 6.5kW

Max Heat Output = 4.8kW

Balanced Flue
 Max Heat Input = 6.7kW

Max Heat Output = 5.0kW

Efficiency

73 – 77%



Select 6 with Gothic Cross doors and coal fuel bed

Your local stockist



Incorporating **HS Gas**

Hunter Stoves Limited, Unit 6, Old Mill Industrial Estate,
Stoke Canon, Devon EX5 4RJ

Hunter Stoves

Tel: 01392 841744 • Fax: 01392 841382

Email: info@hunterstoves.co.uk • Website: www.hunterstoves.co.uk

HS Gas

Tel: 01392 840085 • Fax: 01392 841382

Email: info@hs-gas.co.uk • Website: www.hs-gas.co.uk